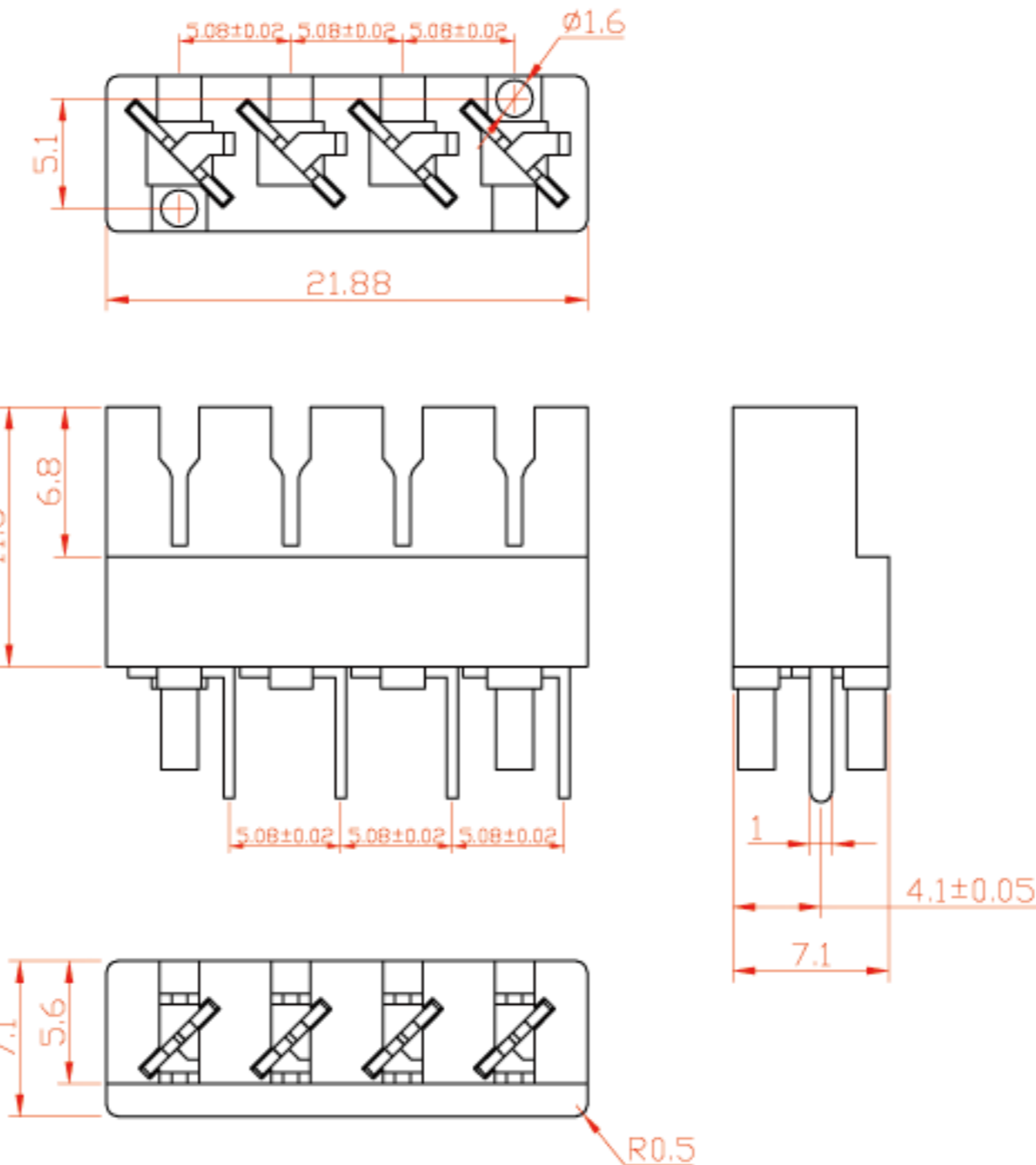
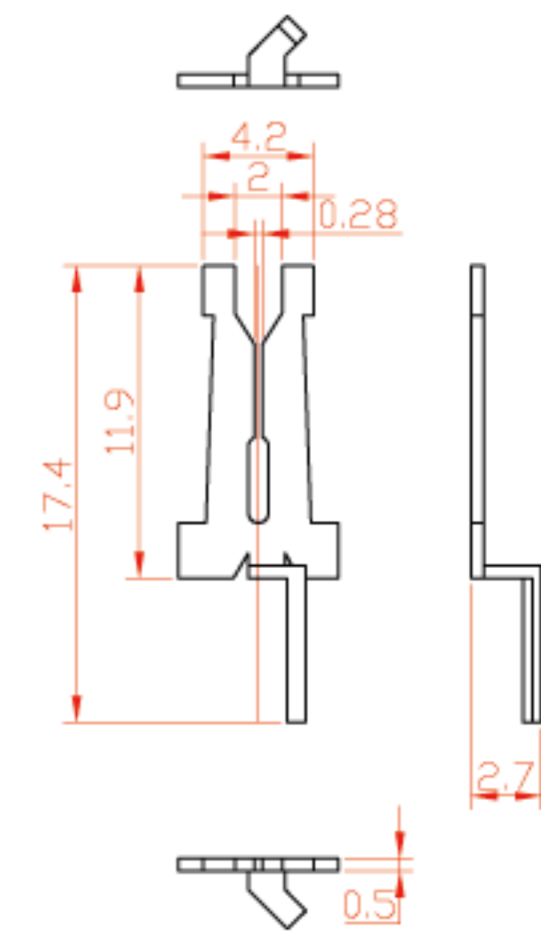


3 pin



4 pin



IDC

Key Specifications/Special Features

- 1、 Environment condition: 5-40 degree Celsius , Relative humidity <85% (+30 degree Celsius) , Atmospheric pressure: 70-106KPa ;
- 2、 Material:1).House: PC (UL94-V0), Combustibility achieved GB/T 5169.7-1985 standard ;
2).ContactPin:Phosphor Bronze ,tin bronze and tin Plated(20-40uinch),
- 3、 Specification: 3 pin ; 4 pin ;
- 4、 Life: durability 200 cycles 。

					PCB Connection module(IDC,5.08)				XL-029B	
SIGNATURE	IDENTITY OF QUALITY	DOCUMENT SERIAL NUMBER	SIGNATURE	DATE	DRAWING MARK SYMBOL	QUANTITY	WEIGHT	SCALE	ANSHI Cixi Anshi communication Equipment Co.,Ltd	
DEVISER			NORMALIZER					2.5:1		
PROOFREADER			RATIFIER							
ASSESSOR										
TECHNOLOGIST			DATE		PAGE NUMBER OF ALL		PAGE HEADER			

ENREGISTER OF BORROW
 TRACER
 PROOFREADER
 SERIAL NUMBER OF OLD BASE MAP
 SERIAL NUMBER OF BASE MAP
 SIGNATURE
 DATE